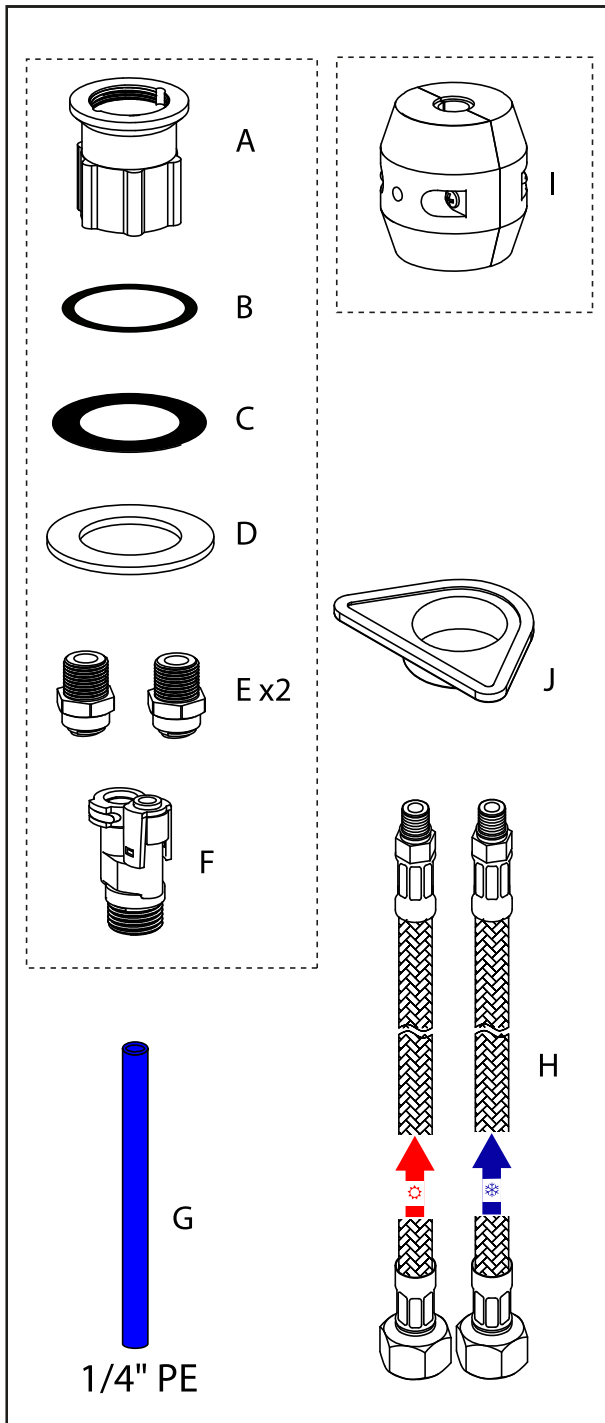
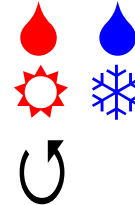
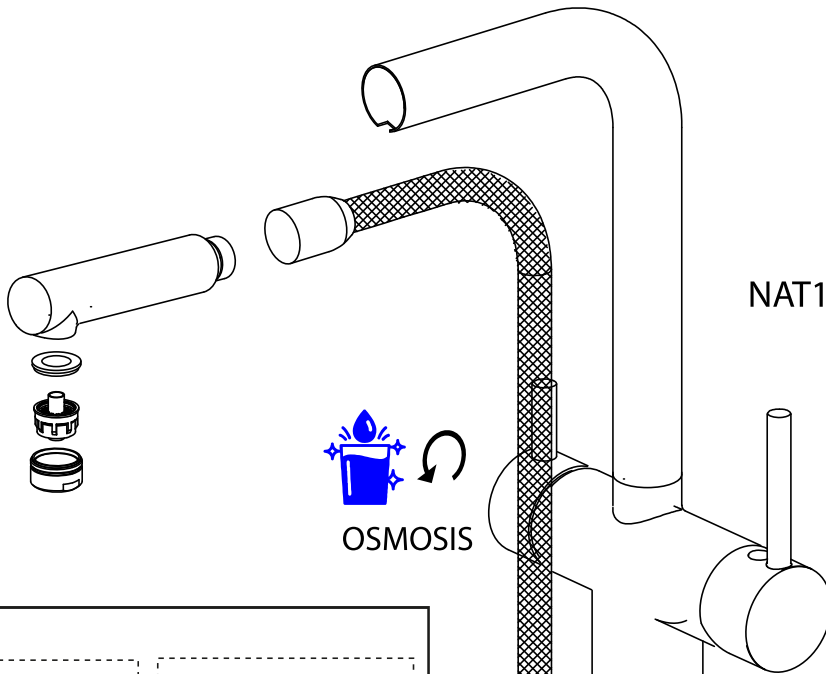


NAT1785C / NAT1785NM / NAT1785SS

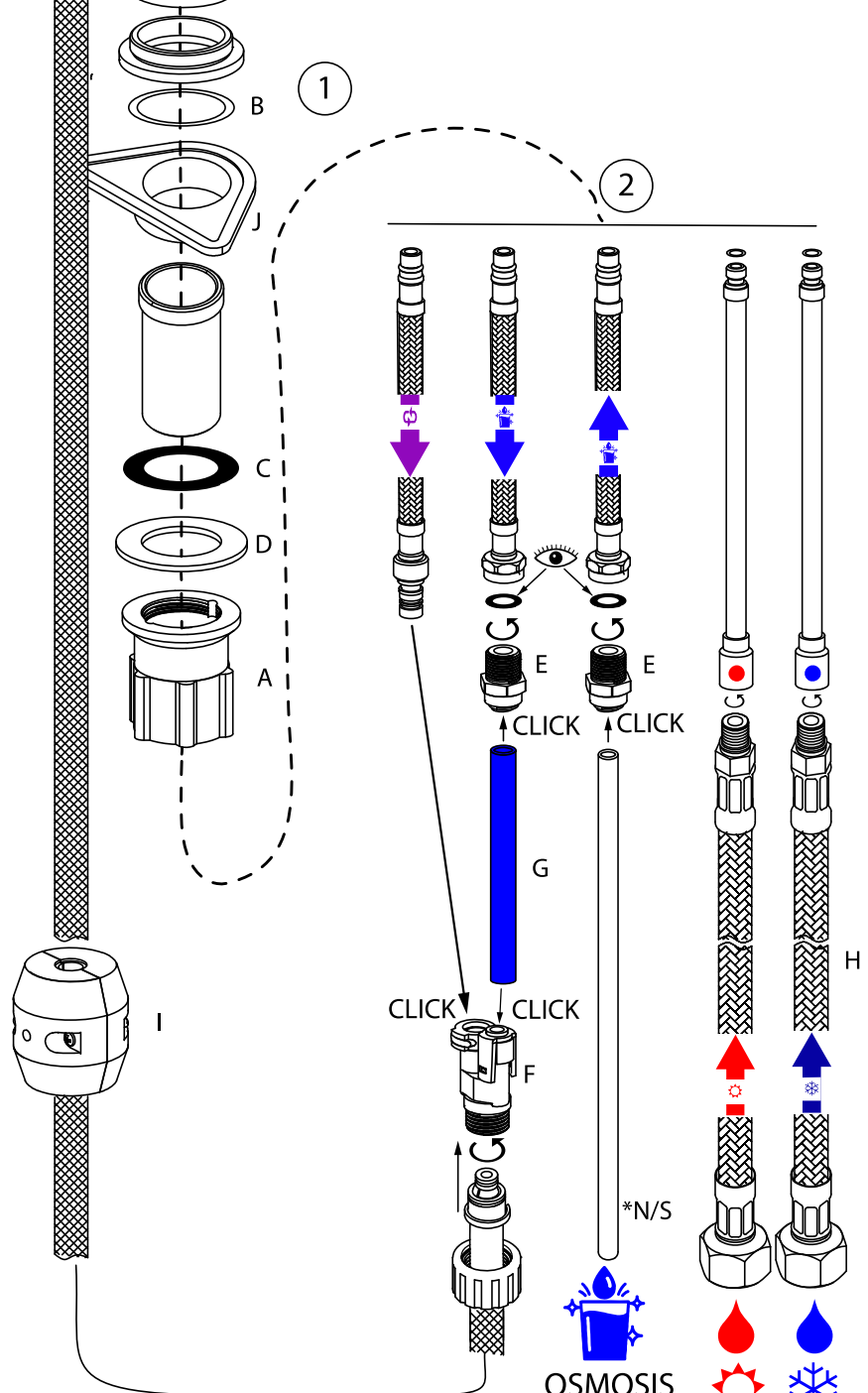
+ info

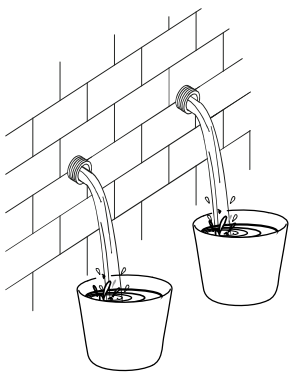


1/4" PE

*N/S No suministrado
Not Supplied
Non fourni

+ info -> https://bit.ly/M_NAT1785





NAT1785C / NAT1785NM / NAT1785SS

